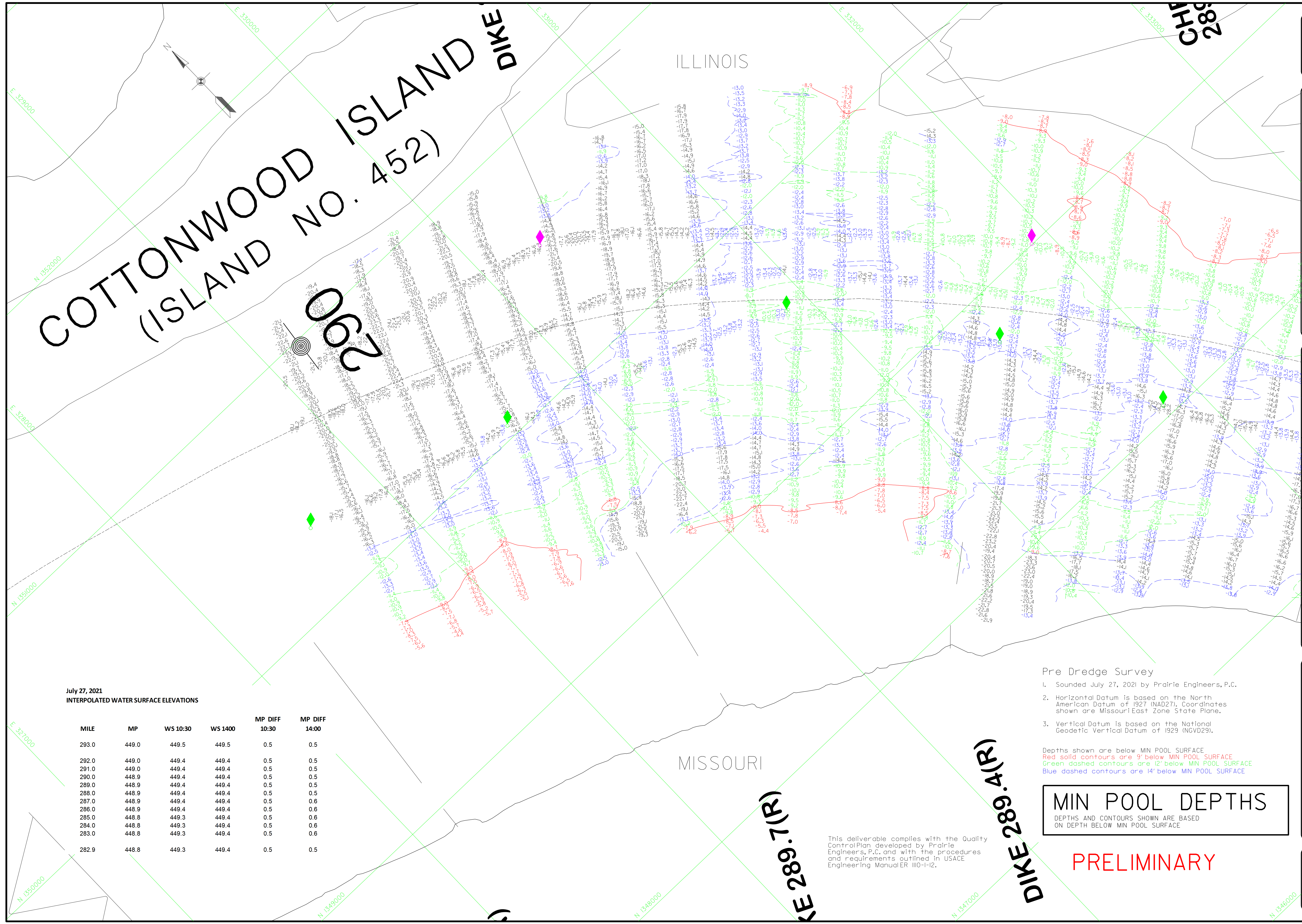


| GAGE RECORD | | LOUISIANA |
|---------------|-------|---------------|
| WATER SURFACE | MUNDY | 437.3 |
| ZERO NGVD | | 441.9 |
| MIN POOL | | 293.0 |
| | | 448.0 |
| | | 448.8 |
| | | 449.5 (03/30) |
| | | 449.5 (06/01) |
| | | 449.5 (06/01) |
| | | 449.5 (06/01) |

| U.S. ARMY ENGINEER DIVISION CORPS OF ENGINEERS ST. LOUIS, MISSOURI | |
|--|-------------------|
| UPPER MISSISSIPPI RIVER BASIN | MISSISSIPPI RIVER |
| Drawn by: JLM | Checked by: JLM |
| Reviewed by: JLM | Approved by: JLM |
| Project: 289.7(R) | Scale: 1"=200' |

| PRE DREDGE SURVEY | |
|-------------------|------------|
| 0 | 200 METERS |
| 0 | 400 FEET |

PLATE NUMBER
01



July 27, 2021
INTERPOLATED WATER SURFACE ELEVATIONS

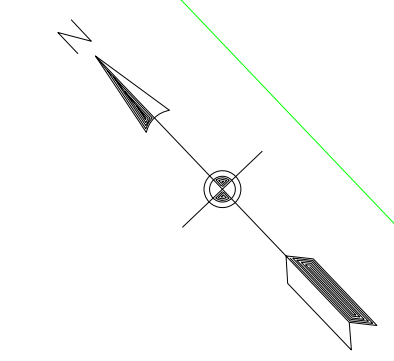
| MILE | MP | WS 10:30 | WS 1400 | MP DIFF 10:30 | MP DIFF 14:00 |
|-------|-------|----------|---------|---------------|---------------|
| 293.0 | 449.0 | 449.5 | 449.5 | 0.5 | 0.5 |
| 292.0 | 449.0 | 449.4 | 449.4 | 0.5 | 0.5 |
| 291.0 | 449.0 | 449.4 | 449.4 | 0.5 | 0.5 |
| 290.0 | 448.9 | 449.4 | 449.4 | 0.5 | 0.5 |
| 289.0 | 448.9 | 449.4 | 449.4 | 0.5 | 0.5 |
| 288.0 | 448.9 | 449.4 | 449.4 | 0.5 | 0.5 |
| 287.0 | 448.9 | 449.4 | 449.4 | 0.5 | 0.6 |
| 286.0 | 448.9 | 449.4 | 449.4 | 0.5 | 0.6 |
| 285.0 | 448.8 | 449.3 | 449.4 | 0.5 | 0.6 |
| 284.0 | 448.8 | 449.3 | 449.4 | 0.5 | 0.6 |
| 283.0 | 448.8 | 449.3 | 449.4 | 0.5 | 0.6 |
| 282.9 | 448.8 | 449.3 | 449.4 | 0.5 | 0.5 |

- Pre Dredge Survey
- Sounded July 27, 2021 by Prairie Engineers, P.C.
 - Horizontal Datum is based on the North American Datum of 1927 (NAD27). Coordinates shown are Missouri East Zone State Plane.
 - Vertical Datum is based on the National Geodetic Vertical Datum of 1929 (NGVD29).

MIN POOL DEPTHS
DEPTHS AND CONTOURS SHOWN ARE BASED ON DEPTH BELOW MIN POOL SURFACE

PRELIMINARY

This deliverable complies with the Quality Control Plan developed by Prairie Engineers, P.C. and with the procedures and requirements outlined in USACE Engineering Manual ER 110-I-12.



ILLINOIS

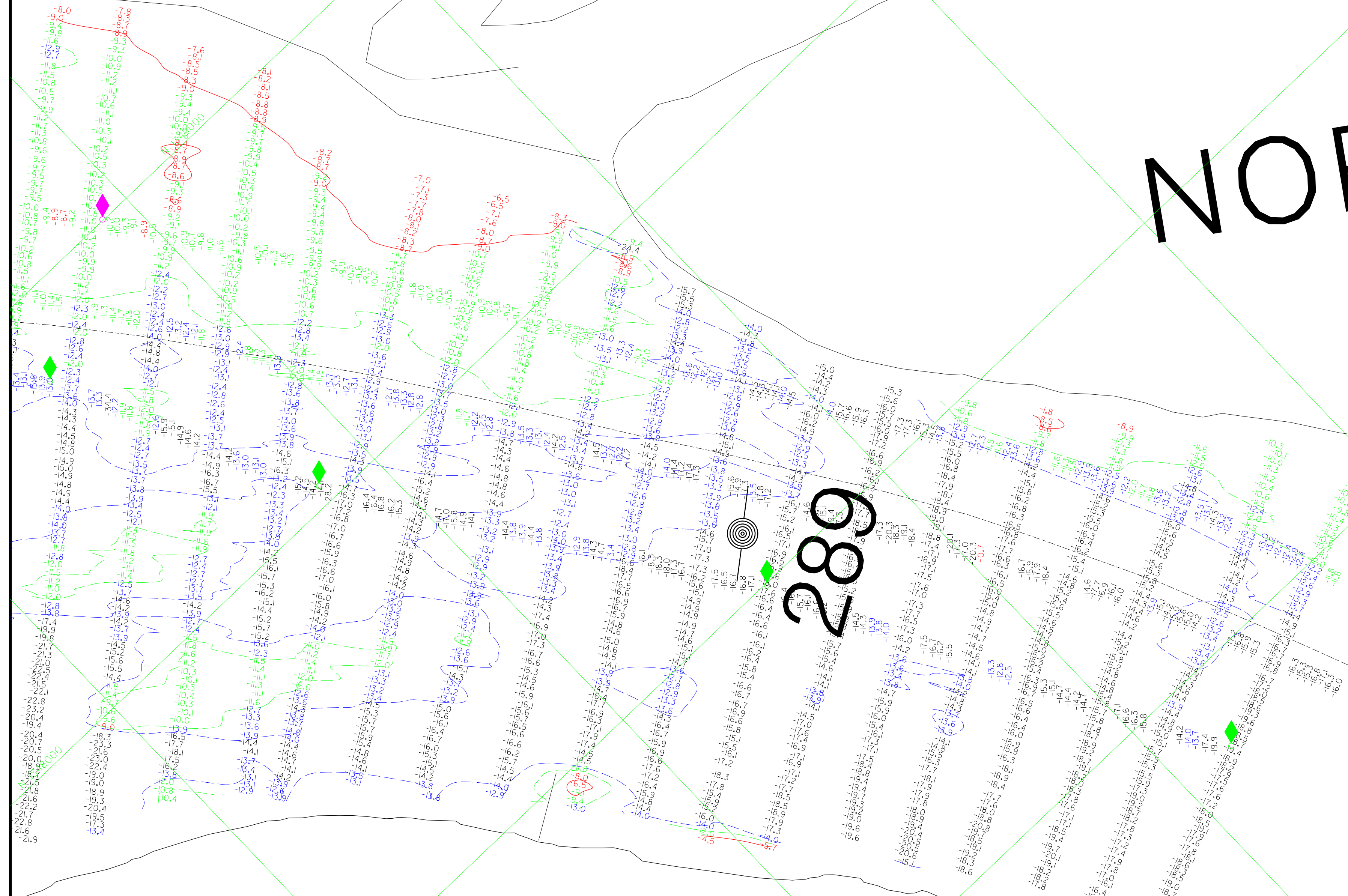
NORTH FRITZ ISLAND

DIKE 288.5(L)

289

DIKE 289.1(R)

DIKE 289.4(R)



| GAGE RECORD | | LOUISIANA |
|---------------|-------------|--------------|
| WATER SURFACE | MUNDY | 437.3 |
| ZERO NGVD | | 441.9 |
| MILE | | 283.0 |
| MIN POOL | | 448.0 |
| | 27 JUL 2021 | 448.5 (IC30) |
| | | 445.5 (IC60) |
| | | 445.3 (IC30) |
| | | 454.4 (IC60) |

| U.S. ARMY ENGINEER DIVISION CORPS OF ENGINEERS ST. LOUIS, MISSOURI | | UPPER MISSISSIPPI RIVER BASIN MISSISSIPPI RIVER | |
|--|--------------------------|--|-------------------------------|
| Supervised by: | PAIRIE ENGINEERS | Drawn by: | JUL |
| Reviewed by: | JUL | Reviewed by: | JUL |
| APPROVED: | Chief, Geospatial Branch | APPROVED: | Chief, Geospatial Branch |
| Survey Date: | July 27, 2021 | Submitted: | Chief, Engr. Data Mgmt. Sect. |
| | | File: | 200072.ms-sh102.dgn |
| | | Plot Date: | 7/28/2021 |
| | | Plot Scale: | 1"=200' |

July 27, 2021
INTERPOLATED WATER SURFACE ELEVATIONS

| MILE | MP | WS 10:30 | WS 1400 | MP DIFF 10:30 | MP DIFF 14:00 |
|-------|-------|----------|---------|---------------|---------------|
| 293.0 | 449.0 | 449.5 | 449.5 | 0.5 | 0.5 |
| 292.0 | 449.0 | 449.4 | 449.4 | 0.5 | 0.5 |
| 291.0 | 449.0 | 449.4 | 449.4 | 0.5 | 0.5 |
| 290.0 | 448.9 | 449.4 | 449.4 | 0.5 | 0.5 |
| 289.0 | 448.9 | 449.4 | 449.4 | 0.5 | 0.5 |
| 288.0 | 448.9 | 449.4 | 449.4 | 0.5 | 0.5 |
| 287.0 | 448.9 | 449.4 | 449.4 | 0.5 | 0.6 |
| 286.0 | 448.9 | 449.4 | 449.4 | 0.5 | 0.6 |
| 285.0 | 448.8 | 449.3 | 449.4 | 0.5 | 0.6 |
| 284.0 | 448.8 | 449.3 | 449.4 | 0.5 | 0.6 |
| 283.0 | 448.8 | 449.3 | 449.4 | 0.5 | 0.6 |
| 282.9 | 448.8 | 449.3 | 449.4 | 0.5 | 0.5 |

Pre Dredge Survey

- Sounded July 27, 2021 by Prairie Engineers, P.C.
- Horizontal Datum is based on the North American Datum of 1927 (NAD27). Coordinates shown are Missouri East Zone State Plane.
- Vertical Datum is based on the National Geodetic Vertical Datum of 1929 (NGVD29).

Depths shown are below MIN POOL SURFACE
 Red solid contours are 9' below MIN POOL SURFACE
 Green dashed contours are 12' below MIN POOL SURFACE
 Blue dashed contours are 14' below MIN POOL SURFACE

This deliverable complies with the Quality Control Plan developed by Prairie Engineers, P.C. and with the procedures and requirements outlined in USACE Engineering Manual ER 1110-1-12.

MIN POOL DEPTHS
 DEPTHS AND CONTOURS SHOWN ARE BASED ON DEPTH BELOW MIN POOL SURFACE

PLATE NUMBER
02