

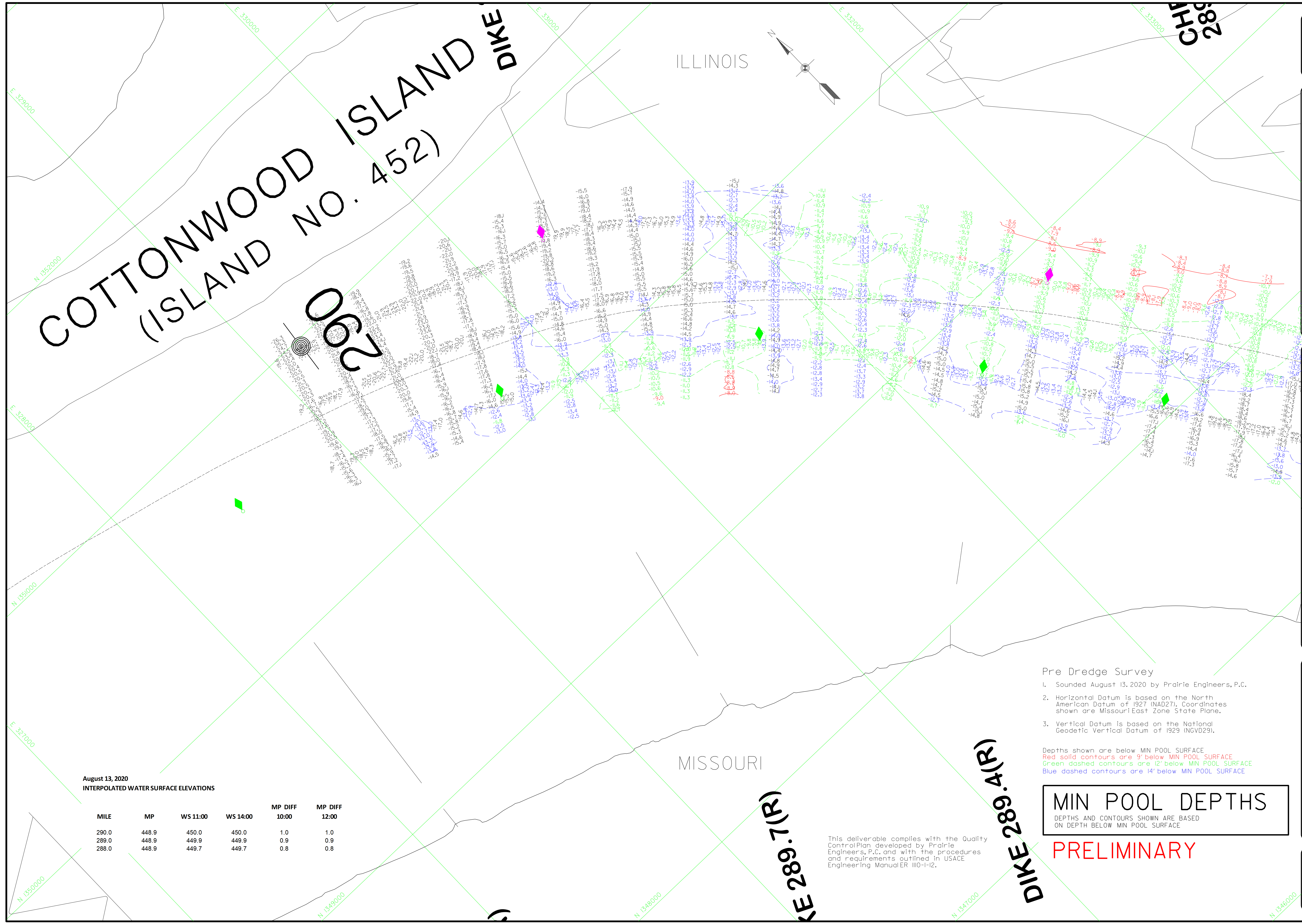
WATER SURFACE	MUNDY	LOUISIANA
ZERO NGVD29	448.9	437.3
MILE	288.0	282.9
MIN POOL	448.0	448.8
	13 AUG 2020	450.4 (IR60)
		450.4 (IR60)

Survey Date: August 13, 2020	Submitted:
Drawn by: PCE	Chief, Engr. Data Mngt. Sect.
Reviewed by: JBF	File: 288120.mxd.shrd.dgn
APPROVED:	Plot Date: 8/15/2020
Chief, Geospatial Branch	Plot Scale: 1"=200'

U.S. ARMY ENGINEER DIVISION CORPS OF ENGINEERS ST. LOUIS, MISSOURI
UPPER MISSISSIPPI RIVER BASIN MISSISSIPPI RIVER

0 200 400 600 METERS	0 200 400 FEET
THE INFORMATION DEPICTED ON THIS MAP REPRESENTS THE RESULTS OF A SURVEY CONDUCTED IN ACCORDANCE WITH THE GENERAL CONDITIONS EXISTING AT THAT TIME.	
PRE DREDGE SURVEY MILE: 290.0-288.5	

PLATE NUMBER
01



August 13, 2020  
INTERPOLATED WATER SURFACE ELEVATIONS

MILE	MP	WS 11:00	WS 14:00	MP DIFF 10:00	MP DIFF 12:00
290.0	448.9	450.0	450.0	1.0	1.0
289.0	448.9	449.9	449.9	0.9	0.9
288.0	448.9	449.7	449.7	0.8	0.8

- Pre Dredge Survey
- Sounded August 13, 2020 by Prairie Engineers, P.C.
  - Horizontal Datum is based on the North American Datum of 1927 (NAD27). Coordinates shown are Missouri East Zone State Plane.
  - Vertical Datum is based on the National Geodetic Vertical Datum of 1929 (NGVD29).

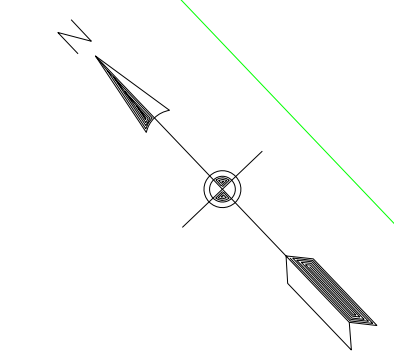
Depths shown are below MIN POOL SURFACE  
 Red solid contours are 9' below MIN POOL SURFACE  
 Green dashed contours are 12' below MIN POOL SURFACE  
 Blue dashed contours are 14' below MIN POOL SURFACE

**MIN POOL DEPTHS**  
 DEPTHS AND CONTOURS SHOWN ARE BASED ON DEPTH BELOW MIN POOL SURFACE

**PRELIMINARY**

This deliverable complies with the Quality Control Plan developed by Prairie Engineers, P.C. and with the procedures and requirements outlined in USACE Engineering Manual ER 110-I-12.





ILLINOIS

# NORTH FRITZ ISLAND

DIKE 288.5(L)

289

DIKE 289.1(R)

DIKE 289.4(R)

August 13, 2020  
INTERPOLATED WATER SURFACE ELEVATIONS

MILE	MP	WS 11:00	WS 14:00	MP DIFF 10:00	MP DIFF 12:00
290.0	448.9	450.0	450.0	1.0	1.0
289.0	448.9	449.9	449.9	0.9	0.9
288.0	448.9	449.7	449.7	0.8	0.8

GAGE RECORD		LOUISIANA
WATER SURFACE	MUNDY	437.3
ZERO NGVD		481.9
MILE		283.0
MIN POOL		448.0
		450.4 (1800)
		450.4 (1800)
		451.1 (1800)
		451.1 (1800)

SURVEYED BY:		PROGRAM BY:		REVIEWED BY:		APPROVED:	
PRairie ENGINEERS	FILED BY:	FILED BY:	FILED BY:	FILED BY:	FILED BY:	FILED BY:	FILED BY:

U.S. ARMY ENGINEER DIVISION CORPS OF ENGINEERS ST. LOUIS, MISSOURI	
UPPER MISSISSIPPI RIVER BASIN	MISSISSIPPI RIVER

PRE DREDGE SURVEY	
MILE: 290.0-288.5	

- Pre Dredge Survey
- Sounded August 13, 2020 by Prairie Engineers, P.C.
  - Horizontal Datum is based on the North American Datum of 1927 (NAD27). Coordinates shown are Missouri East Zone State Plane.
  - Vertical Datum is based on the National Geodetic Vertical Datum of 1929 (NGVD29).

Depths shown are below MIN POOL SURFACE  
 Red solid contours are 9' below MIN POOL SURFACE  
 Green dashed contours are 12' below MIN POOL SURFACE  
 Blue dashed contours are 14' below MIN POOL SURFACE

## MIN POOL DEPTHS

DEPTHS AND CONTOURS SHOWN ARE BASED ON DEPTH BELOW MIN POOL SURFACE

PLATE NUMBER  
02

This deliverable complies with the Quality Control Plan developed by Prairie Engineers, P.C. and with the procedures and requirements outlined in USACE Engineering Manual ER 1110-1-12.

